

DEPRAG

INDUSTRIAL

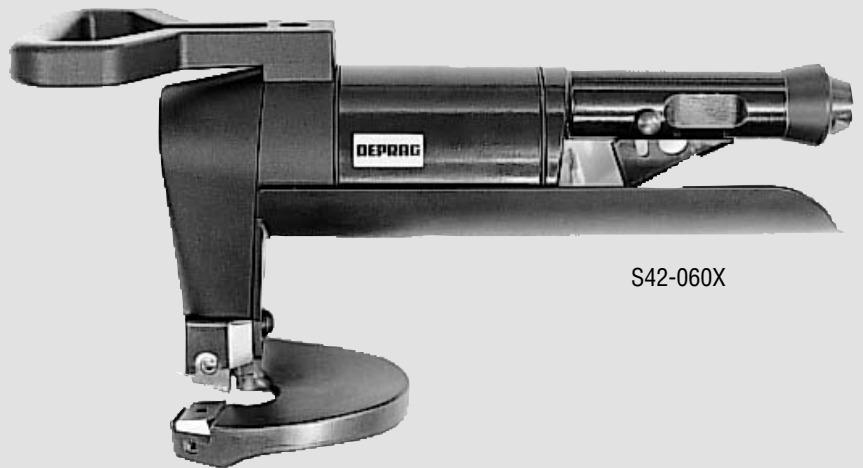
Pneumatic Sheet Metal Shears
handheld, with a material cutting capacity up to 5 mm

Model **S16, S20, S35, S42**

- High cutting speed
- Optimum curve adaptability
- Lateral material discharge due to the ideal deflector geometry
- High machine uptime



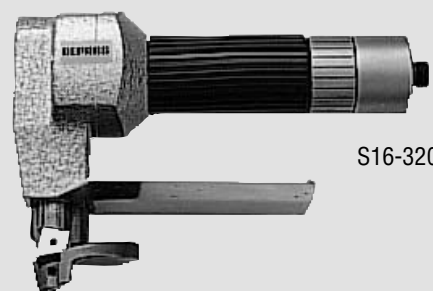
S35-140X



S42-060X



S20-180Y



S16-320Y

Specifications

Model Part Number	S16-320Y 3240971C	S20-180Y 3388471A	S35-140X 3686551A	S42-060X 3530941A	
Max. metal thickness:					
Sheet metal up to 400N/mm ²	mm (in)	1,6 (.063)	2 (.078)	3,5 (.138)	4,2 (.165)
Sheet metal up to 600N/mm ²	mm (in)	1,2 (.047)	1,6 (.063)	3 (.118)	2,8 (.110)
Sheet metal up to 800N/mm ²	mm (in)	1 (.040)	1,4 (.055)	2 (.078)	2 (.787)
Aluminum up to 250N/mm ²	mm (in)	2 (.787)	2,5 (.984)	4 (.157)	5 (.196)
Air consumption	m ³ /min (cfm)	0,4 (14.12)	0,4 (14.12)	1,7 (60.03)	1,9 (67.09)
Max. power output	kW (lbs)	0,32 (.43)	0,32 (.43)	1,1 (1.48)	1,2 (1.61)
Impacts (at full load)	min ⁻¹ (rpm)	3200	1800	1350	550
Cutting speed up to	m/min	7	7	5	5
Smallest cutting radius	mm (in)	15 (19/32")	20 (25/32")	30 (1-3/16")	25 (1")
Length	mm (in)	186 (7.33)	210 (8.27)	350 (13.78)	413 (16.26)
Weight	kg (lbs)	1,6 (3.53)	1,9 (4.19)	6,4 (14.11)	5,7 (.22)
I.D. of air inlet hose	mm (in)	6 (1/4")	6 (1/4")	16 (5/8")	16 (5/8")
Air connection		G 1/4" a	G 1/4" a	G 1/2" i	G 1/2" i

Specifications at 90 psi (6,3 bar)

Standard Equipment

Name				
	Hose nozzle and screw cap Wrench	Hose nozzle and screw cap Wrench	Claw coupler	Claw coupler Wrench Grinding gauge

Optional Accessories

Name	Part Number			
Pestle knife for 1,5 - 3 mm (600-800N/mm ²)	-	-	-	820743
Pestle knife for chrome steel	-	-	823865	820895
Rotator knife for chrome steel	-	-	823865	820898